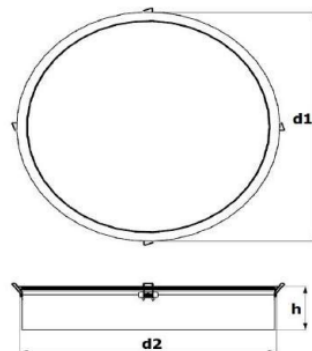




EXE GREEN HOLDING

ENERGY EFFICIENCY SOLUTIONS

CIRCULAR LED EXE-P-GDR-IP40



DATE ELECTRICE

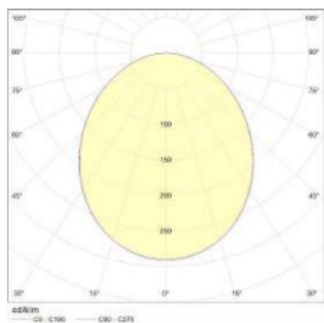
Voltage [V]	220-240
Frecventa [Hz]	50/60
Sursa	LED
Power factor PF	>0.9
CRI [RA]	>80
Optica	120°
Optional	dimabil/kit emergenta

DATE TEHNICE

Montaj	INCASTRAT
Material	ALUMINIU
Finisaj	ALB/NEGRU/RAL
Factor protectie [IP]	IP40
Factor protectie [IK]	IK08
Temperatura	5°C ... +30°C
Durata medie [h]	60000

MODELE

Cod	Descriere
EXE-P-GDR-27W-IP40	EXE CIRCULAR LED 27W, 2585LM, 2700/6500K, 490X475X93, IP40
EXE-P-GDR-40W-IP40	EXE CIRCULAR LED 40W, 3880LM, 2700/6500K, 620X605X93, IP40
EXE-P-GDR-83W-IP40	EXE CIRCULAR LED 83W, 8189LM, 2700/6500K, 920X905X93, IP40
EXE-P-GDR-147W-IP40	EXE CIRCULAR LED 147W, 14645LM, 2700/6500K, 1220X1205X93, IP40



ISO 9001



ISO 14001



ISO 27001



ISO 45001



ISO 37001



ISO 50001

Romania Office & Production:

Aeroportului no.141 Street, Mogosoaia, Ilfov, PO 077135

www.exeholding.com; office@exeholding.com; Phone: +40 722 241 231